



PT. MITSU SINAR TEKNIK

COMPANY PROFILE



ABOUT US

Welcome to PT Mitsu Sinar Teknik,
Established in 2015 a leading engineering solutions provider dedicated to delivering innovative and sustainable solutions to clients worldwide.

With a proven track record of excellence and a team of highly skilled professionals, we strive to meet and exceed the expectations of our clients across various industries.

VISION

To become a company that continues to grow and innovate with intelligence and accuracy in providing the best solutions and services for customers.

MISSION

A focused and strategic in developing business

Continue to be committed to improving quality

by Following the principles of good corporate

governance Prioritizing satisfaction and added

value for stakeholders and HR professionalism

Follow the principles of good corporate

governance in all aspects Prioritizing satisfaction

and added value for stakeholders

WORKSHOP & MACHINES



Workshop



Machines



PRODUCTS

JIG & FIXTURES



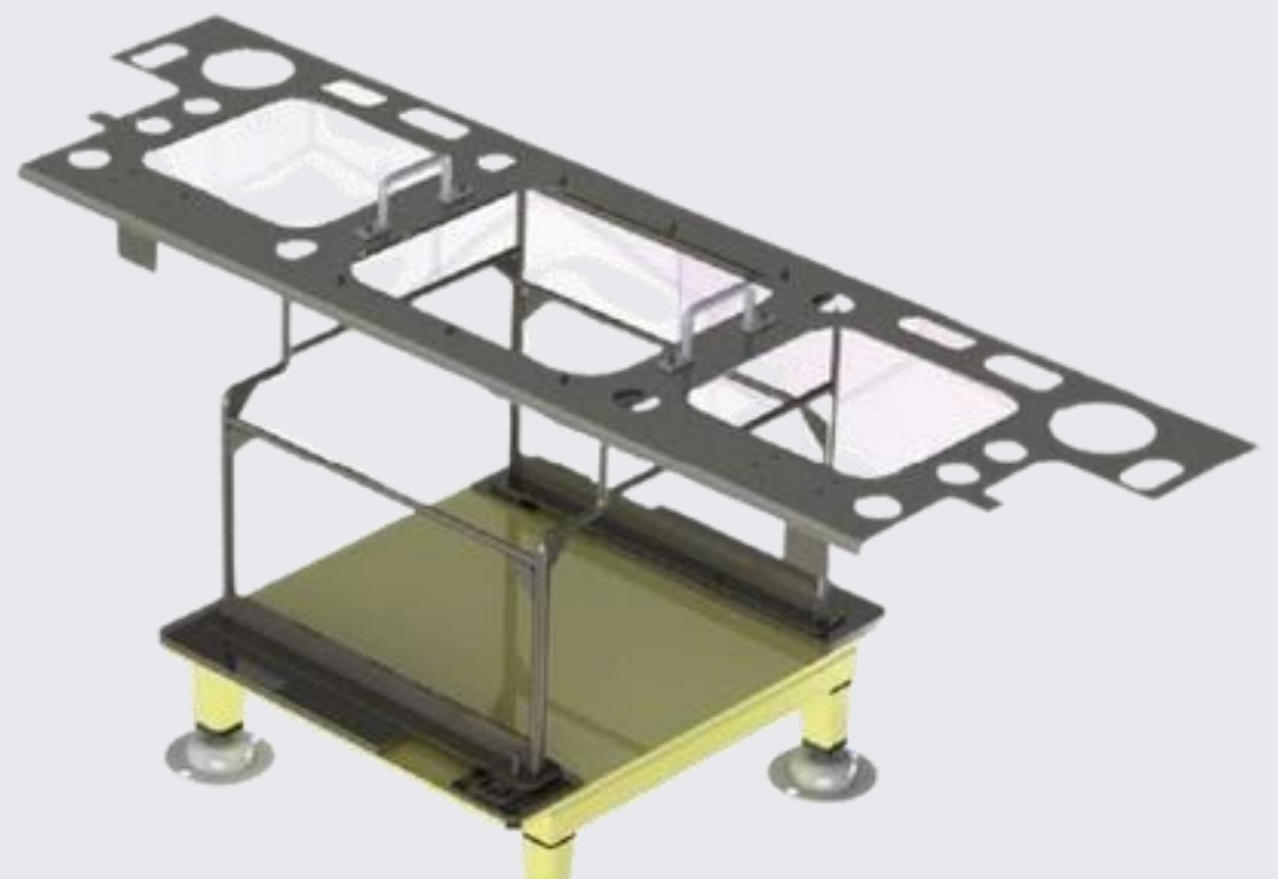
CF Engine Hood D14N



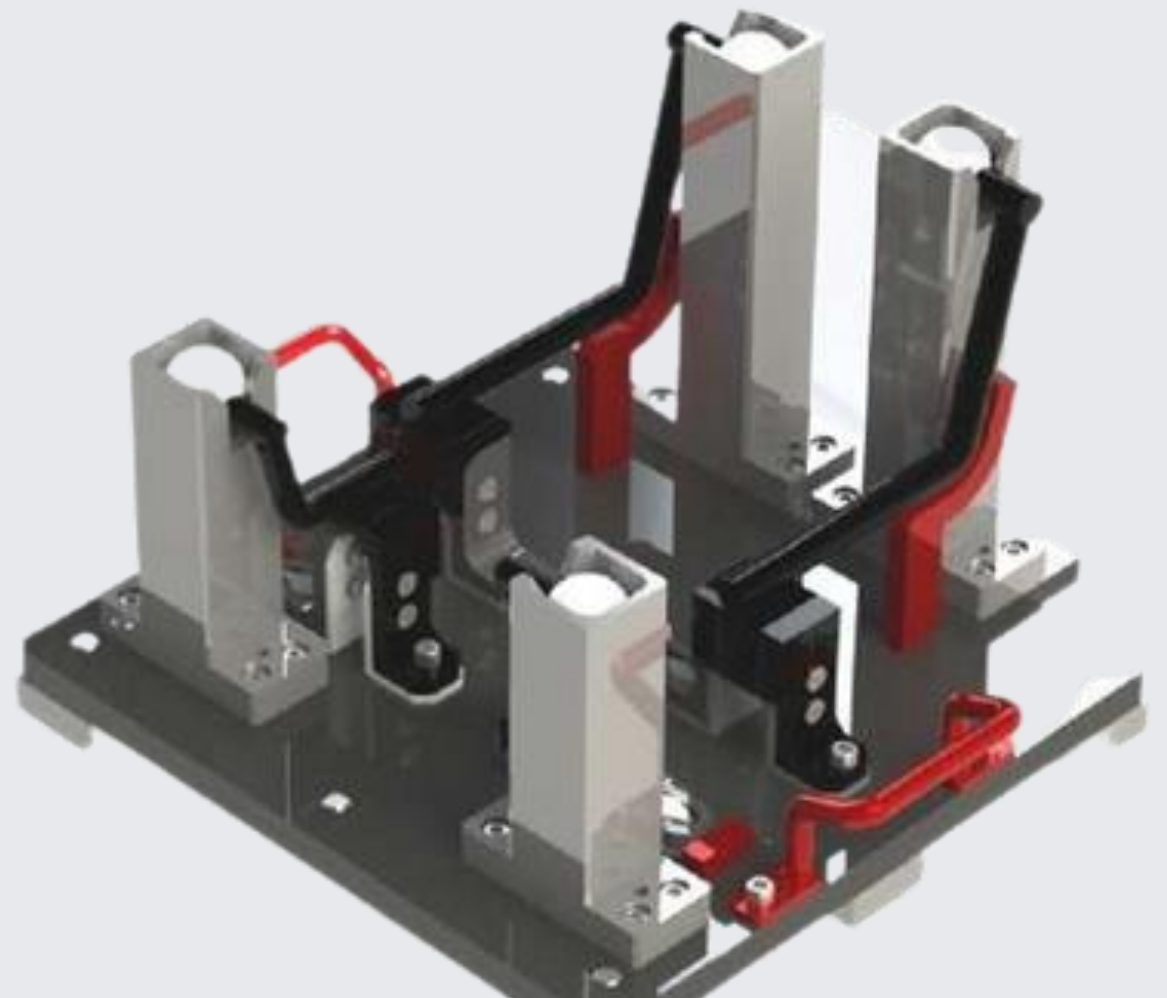
Jig BD QC Shell Part



Jig FD QC Shell Part



CF C Hanger

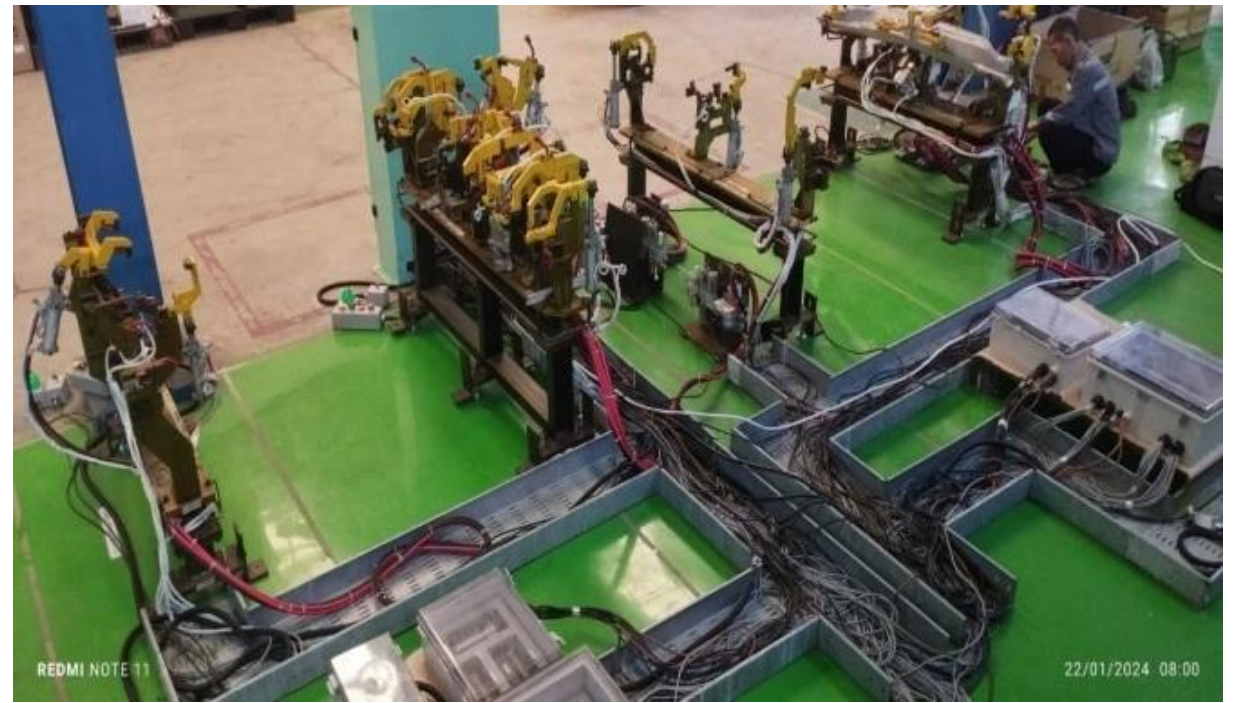


CF Jig Door Hinge



OUR PRODUCT

INSTALLATION JIG ADM



OUR PRODUCT INSTALLATION JIG



WBS ADM



BRAKETUBE SUB ASSY TABLE ADM



JIG IMPROVEMENT D26 GAYA MOTOR



JIG IMPROVEMENT D40 GAYA MOTOR



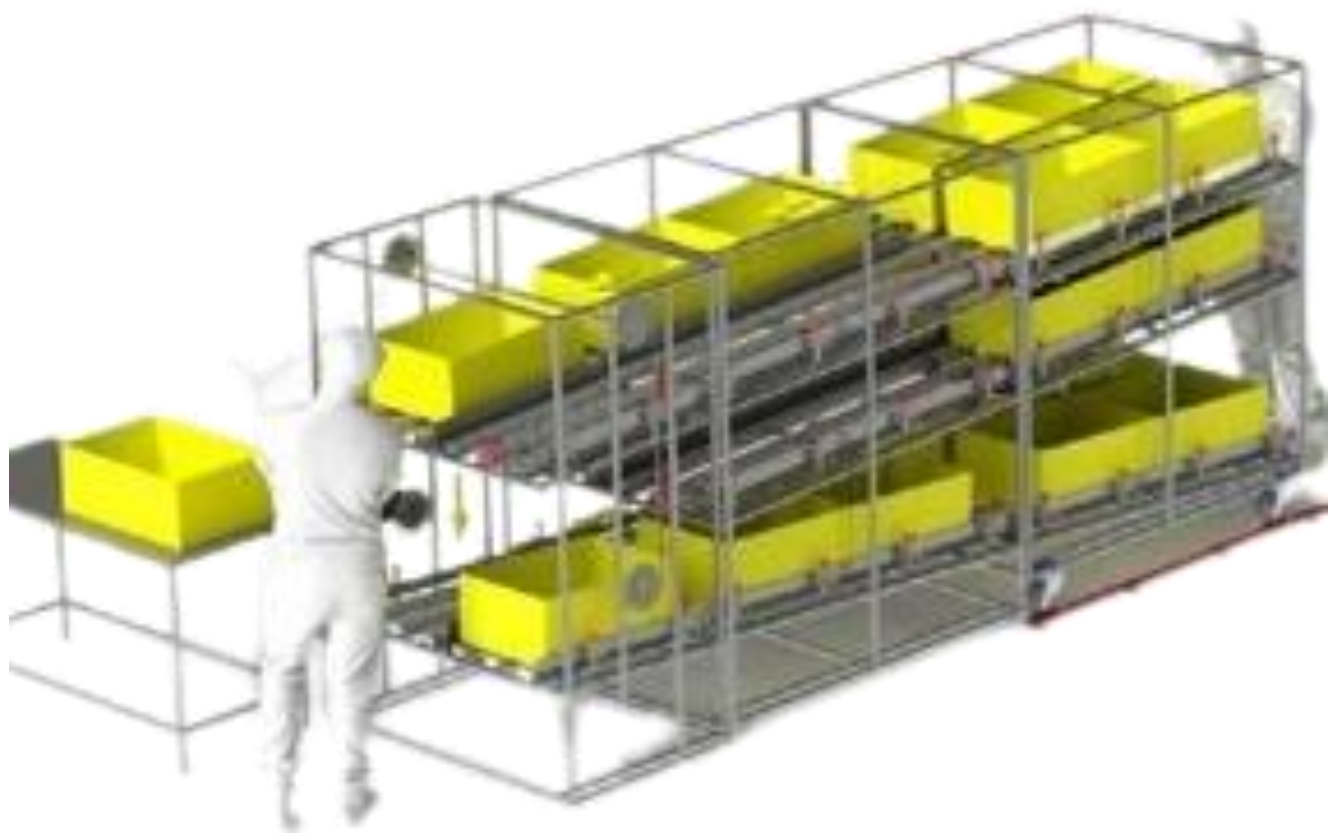
PRODUCTS AUTOMATION



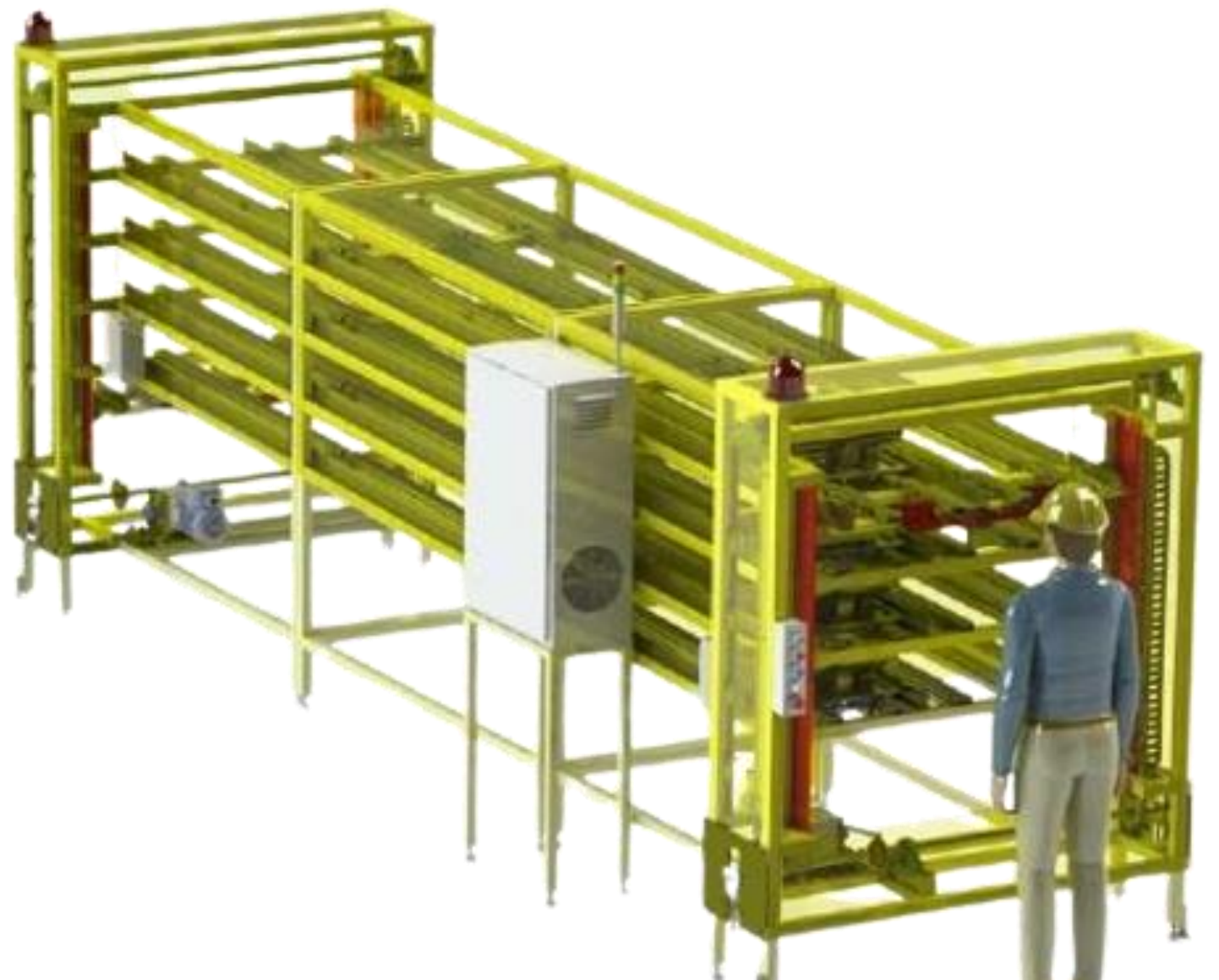
Painting Booth



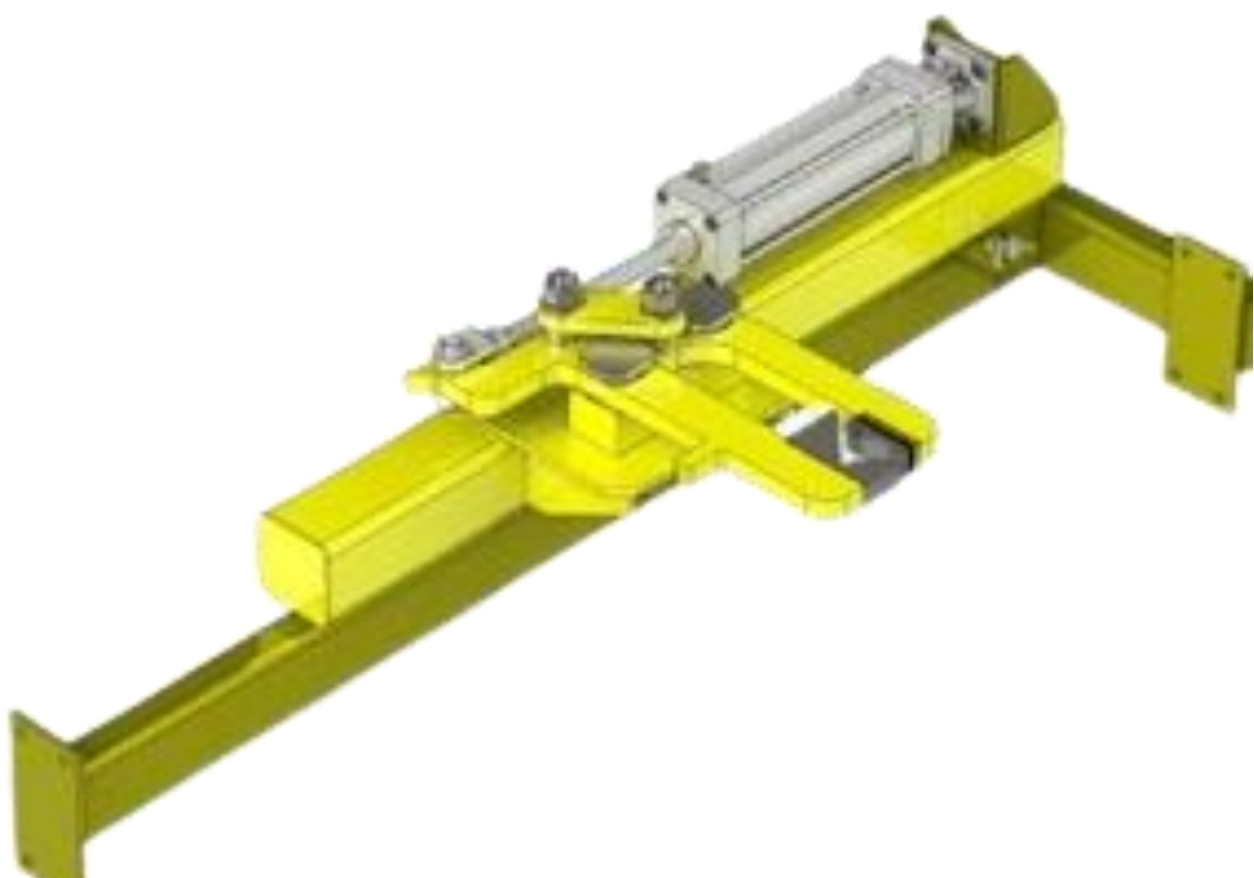
Conveyor Bidirection



Lifter + Shooter Gravity System



Shooter Crank Shaft



Lock Arm System

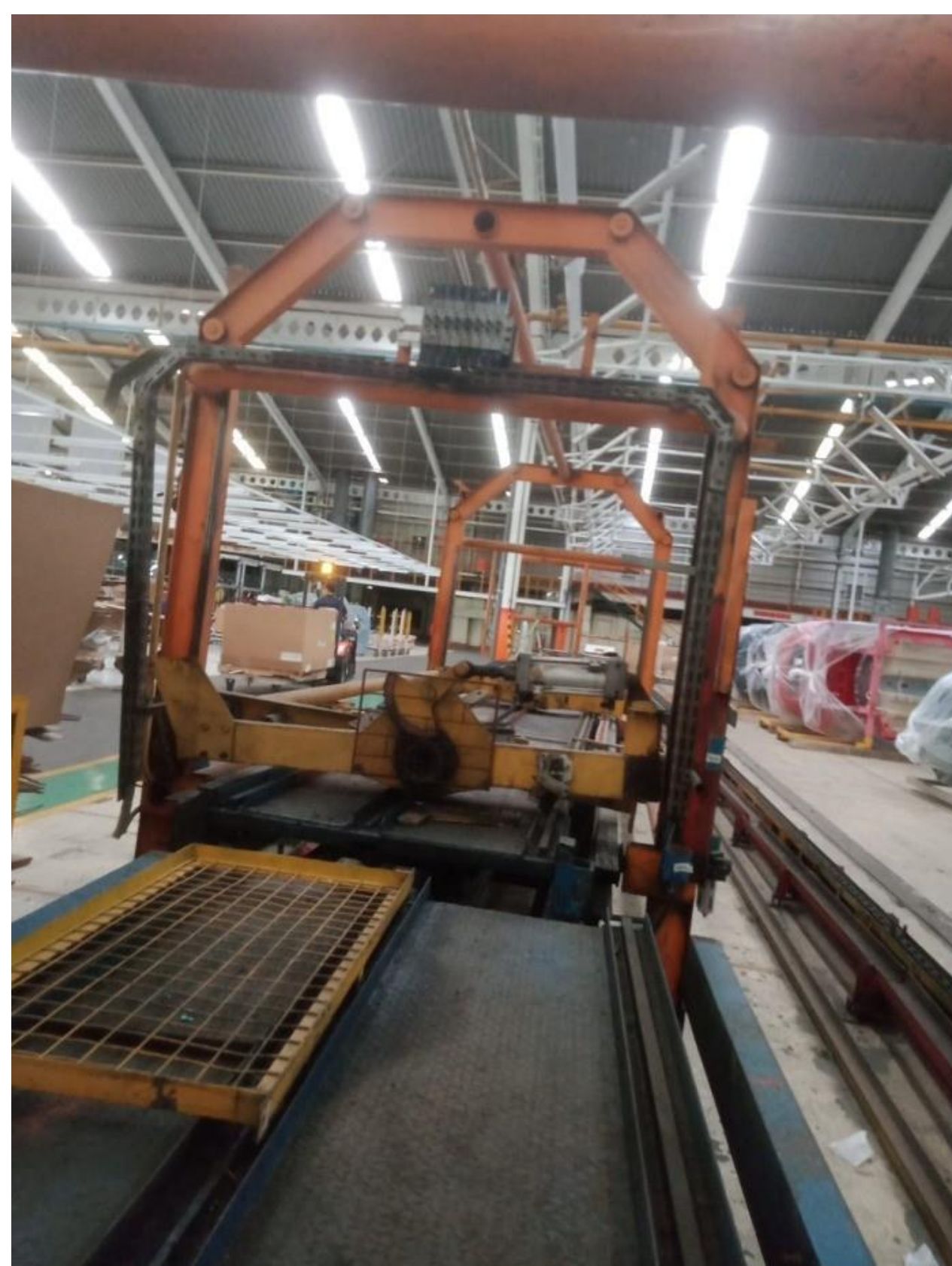


Conveyor AutoLoader



AUTOMATION

PEMBALIK CHASIS ISUZU TRUCK





PRODUCTS

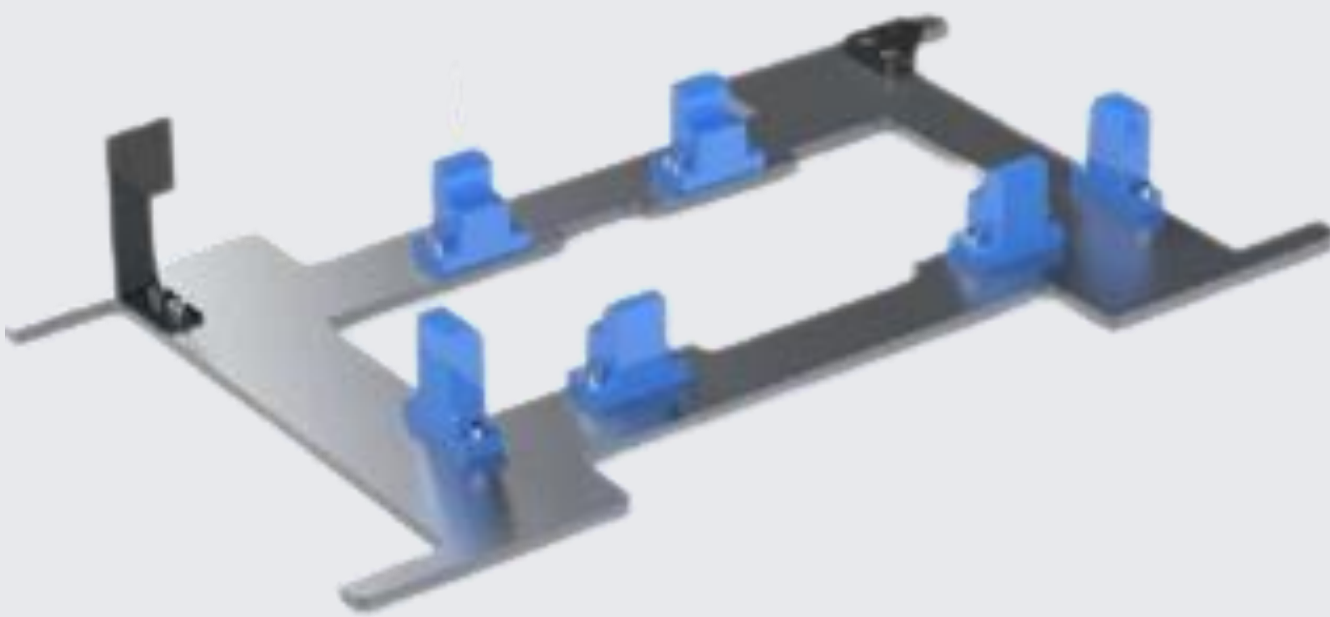
MACHINING SERVICES



Slipper Crankshaft



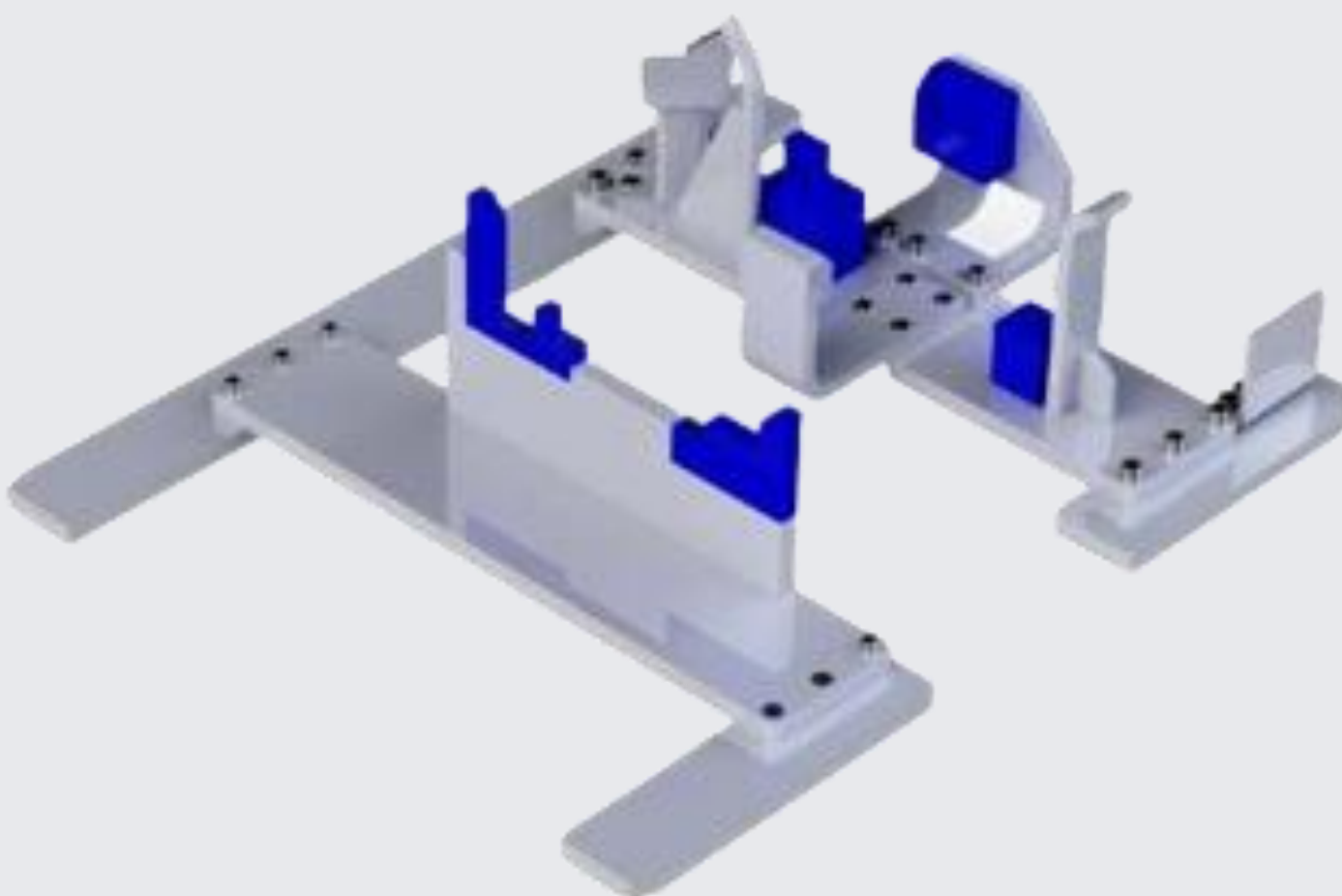
FR Door Hinge



Slipper Cylinderhead



RR Door Hinge



Slipper Dolly Engine



PRODUCTS

KARAKURI SYSTEM



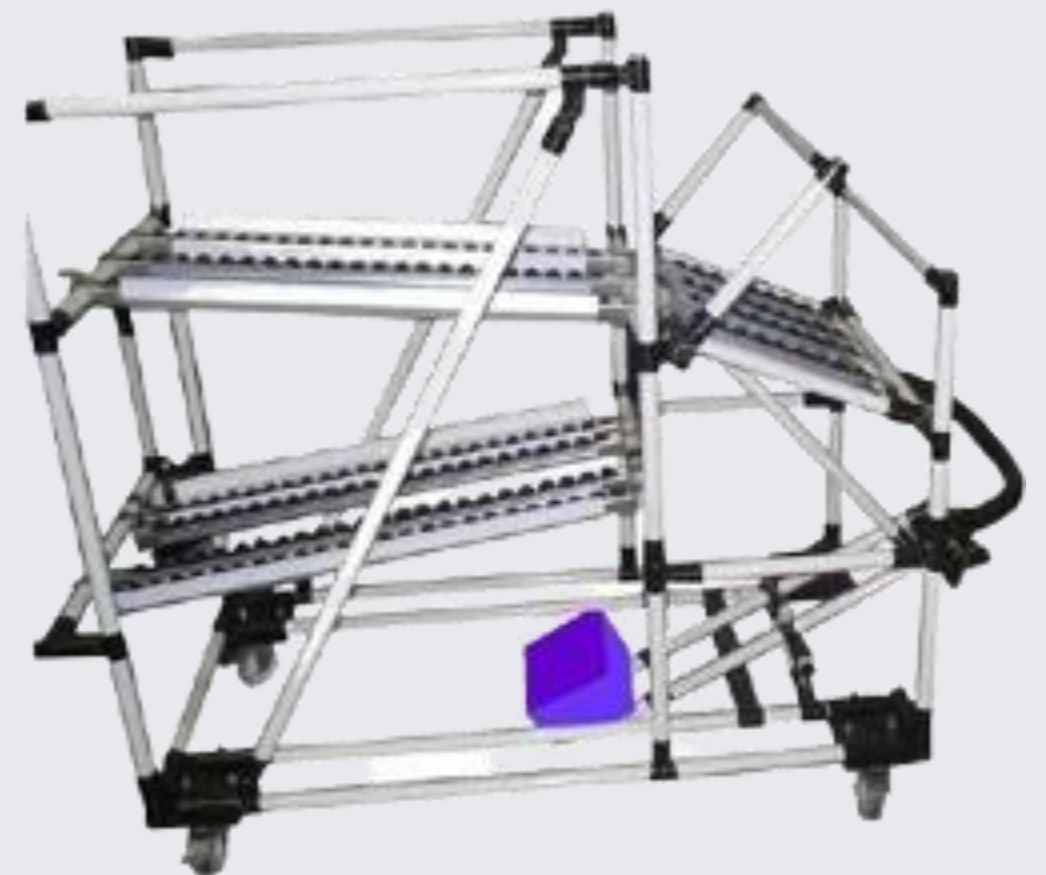
Auto Transfer Karakuri 01



Return Empty Box
Karakuri



Table Assy Karakuri



Trolley With Karakuri
System



Shooter Transfer Karakuri



Shooter Cobot Winteq

CONSTRUCTION



CONSTRUCTION

GANTRY ADM



ANDON GAYA MOTOR



IMPELLER EXHAUST GAYA MOTOR



CONSTRUCTION





Gloves
(DB JOINT)



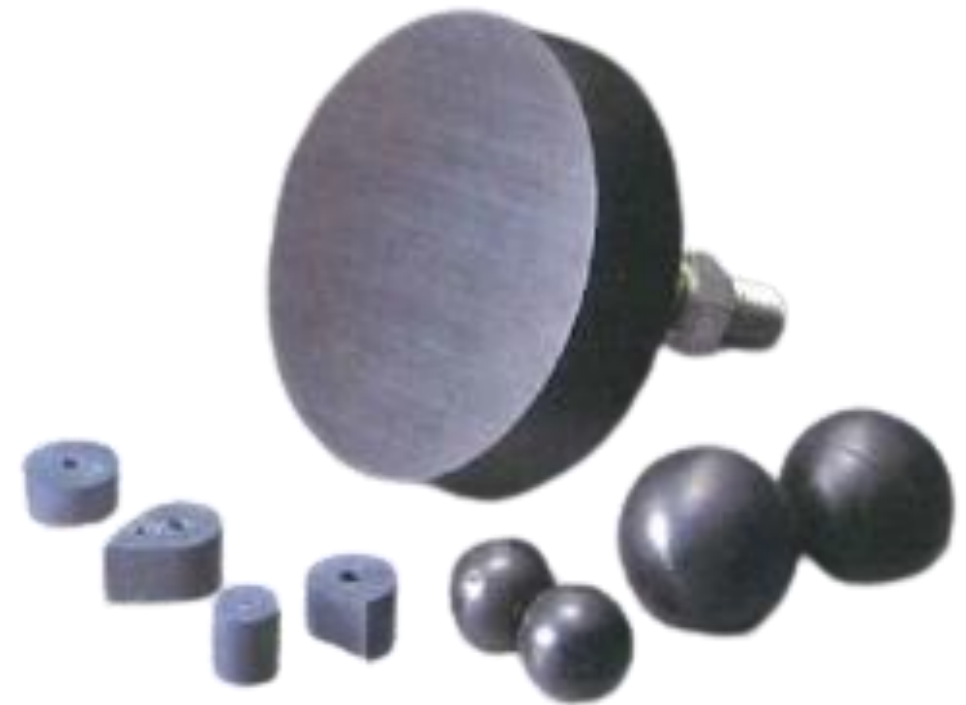
Pipe Joint System
(DB JOINT)



Transparent Conductive Film
(ACHILLES CORPORATION)



Water Sling Nozzle
(GA-REW)

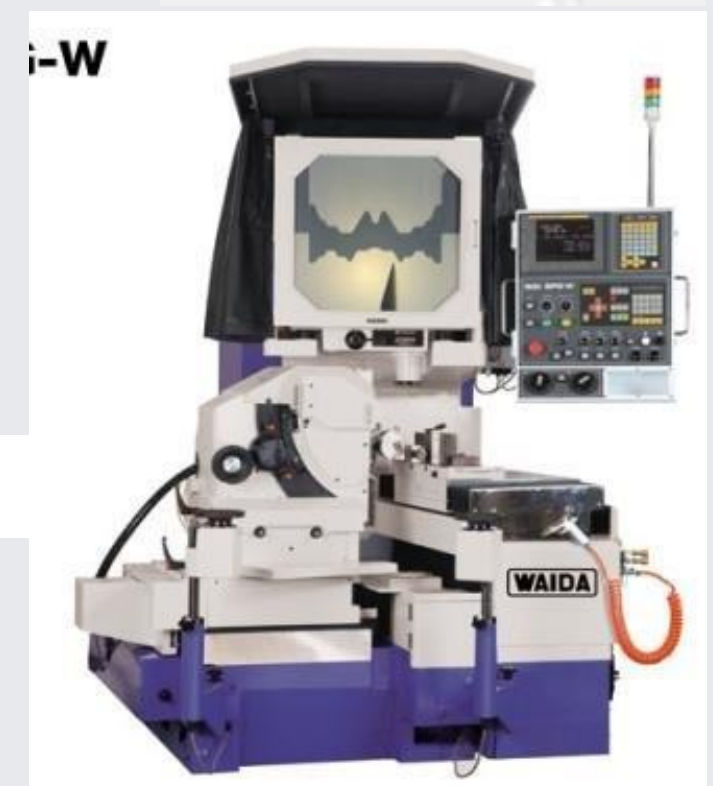
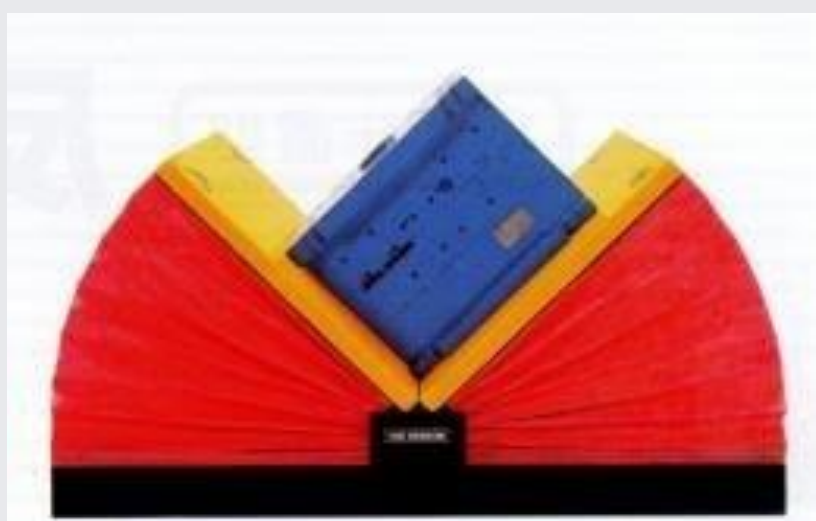


Hanenite Rubber
(NAIGAI RUBBER INDUSTRY)

One-Stop Solution Provider

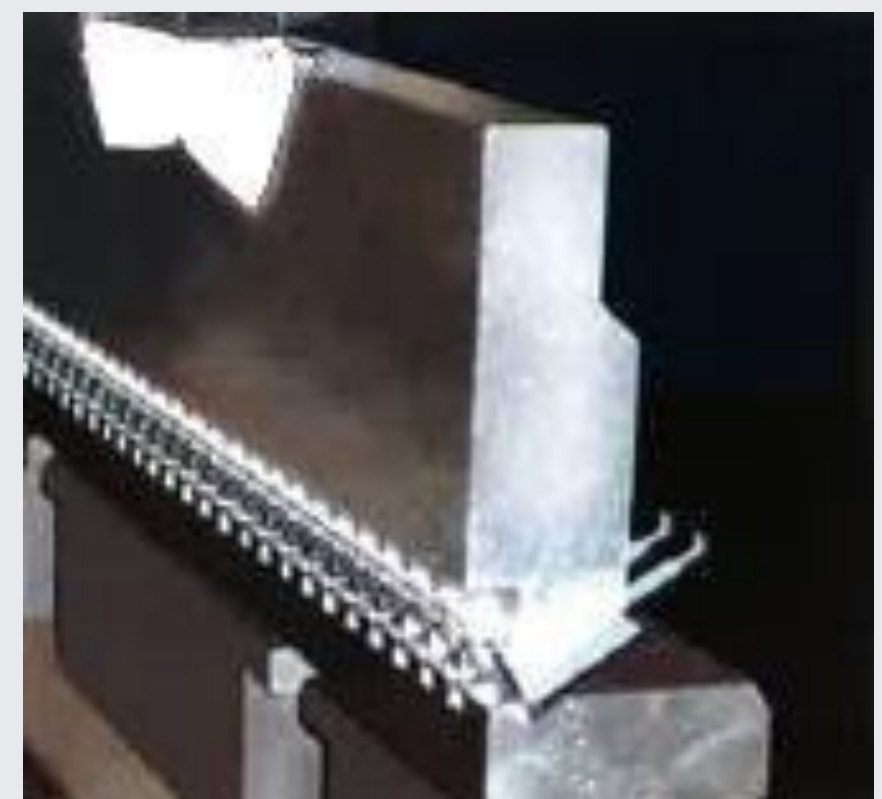
① Mold/Die Making Machinery

EDM, WIRE EDM Machining center Double-column m/c Graphite milling m/c Grinding machine Gun-drill machine CNC Lathe Die spotting press Mold cleaning machine Laser welding machine Mold turning machine CMM CAD/CAM 3D Weldless system(Sole-agent of system)



② Sheet Metal Machinery

- Laser cutting machine
- Press brake
- Turret punch press
- Shearing machine
- Laser QC
- CAD/CAM
- Tooling for press brake
- Tooling for turret punch press



One-Stop Solution Provider

③ Mass Production Machinery

- Machining center
- Tapping center
- CNC Lathe
- Heat treatment
- Conveyor equipment
- Assembly press
- Shot Blast machine
- Plastic injection mach
- Die casting machine
- Mechanical press
- Servo Press
- Forging press
- Coolant system
- Special purpose machinery





CRANES (OVERHEAD CRANE, GANTRY CRANE, CRAB TYPE CRANE)

大 鑄 **T** **ABLE TYPE**
テーブル式 ショットブラストマシン



H **ANGER TYPE**
ハンガー式 ショットブラストマシン



A **PRON TYPE**
エプロン式 ショットブラストマシン



SHOT BLASTING MACHINE



TRANSFORMER (1 ~1000KVA)

KOBELCO



COMPRESSOR



WELDING MACHINE

ニ 三 菱 フ ォ ー ク リ フ ト



FORK LIFT



WATER TREATMENT

PRODUCTS TRADING



SWING AUTO LOADER



VARIOUS CONTROLLERS
(GEAR CHECKER, MC SMART)



PRESS FITTING, LEAK TESTER



NDEXT-YPE WASHING MACHINE (TURN-TABLE TYPE)



NUT RUNNER, SERVO PRESS



LASER-BASED FLAW/DEFECT
INSPECTION SYSTEM (ANALYZER)

PRODUCTS

TRADING

Digital Workstyle for All

By presenting new ways to work that fuses digitization with the concept of KAIZEN, we create a world filled with joy.



OTRS 10

concept

A software designed to accelerate the implementation of Industrial Engineering best-practice techniques to drive operational excellence into businesses of all kinds.

- 1 Eliminate Muri (overburden), Muda (waste), and Mura (unevenness), and improve QCD (Quality, Cost, Delivery)
- 2 Create standardized work practices to establish a fair evaluation system
- 3 Stimulate your workplace by improving the "motion mind"

OTRS implementation flow and Implemented cases

Implementation case **01** Automobile manufacturer

Want to reduce the labor, time, and costs associated with work analysis.

RESULT
Time spent on task analysis
Reduced by **50%**



SOLUTION
Typically, work observation is conducted using a stopwatch, but this method makes it difficult to get accurate measurements, resulting in the need to repeat the process many times. With OTRS, an intuitive user interface and "fast-forward" and "frame advance" video control functions enable rapid on-site motion analysis.
The OTRS10 user interface is a registered design.



Implementation case **02** Construction material manufacturer

Want to create the optimum production process matching our new production efforts.

RESULT
Production output per day
108 → 150

SOLUTION
Identified multiple work flows and bottlenecks using the OTRS side-by-side video and operation structure simulation functions. Then performed work recombination/work rearrangement simulations to create new processes and applied them to actual production lines, enabling drastic improvements to daily production output.

*OTRS10 is capable of performing simulations linked to analyzed video.

Implementation case **03** Electronic component manufacturer

Want to rearrange working environment for better technological training and skills transfer.

RESULT
Pre-line production Training hours
Reduced by **50%**

SOLUTION
Pre-line production training for new workers used to be "OJT"¹. But with OTRS, new workers shot video and analyzed by themselves, comparing work flow/motions of new workers against experienced workers², which resulted in reducing a great amount of training time.
¹ On the Job Training. Training conducted on actual production floor through performing actual tasks.
² OTRS10 features "Rating" function that allows replay of time change simulation.



Implementation case **04** Electrical equipment

Want to save on production line labor by optimizing production process

RESULT
Save production line labor
26 Per. → 19 Per.

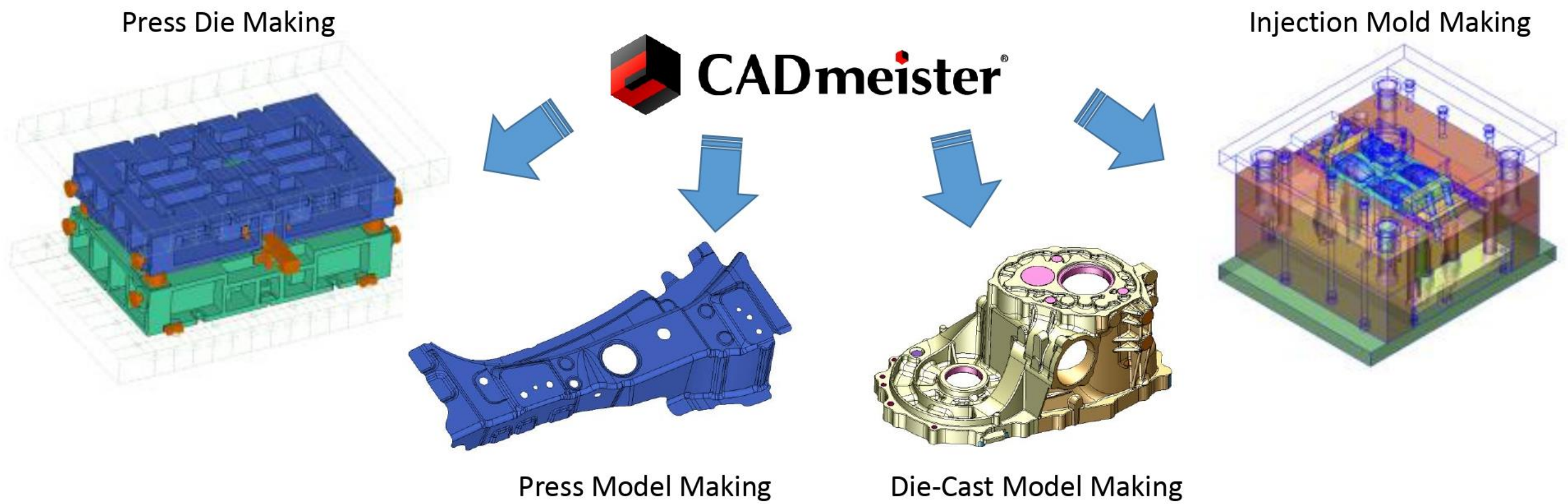
SOLUTION
Conducted simulation to reduce non-value adding tasks using OTRS. Conducted pre-production line training in preparation of implementing simulated process. Able to significantly reduce non-value adding activities, such as migration and standing by to reduce production line labor.

*OTRS10 is capable of measuring non-value adding time included in working time.

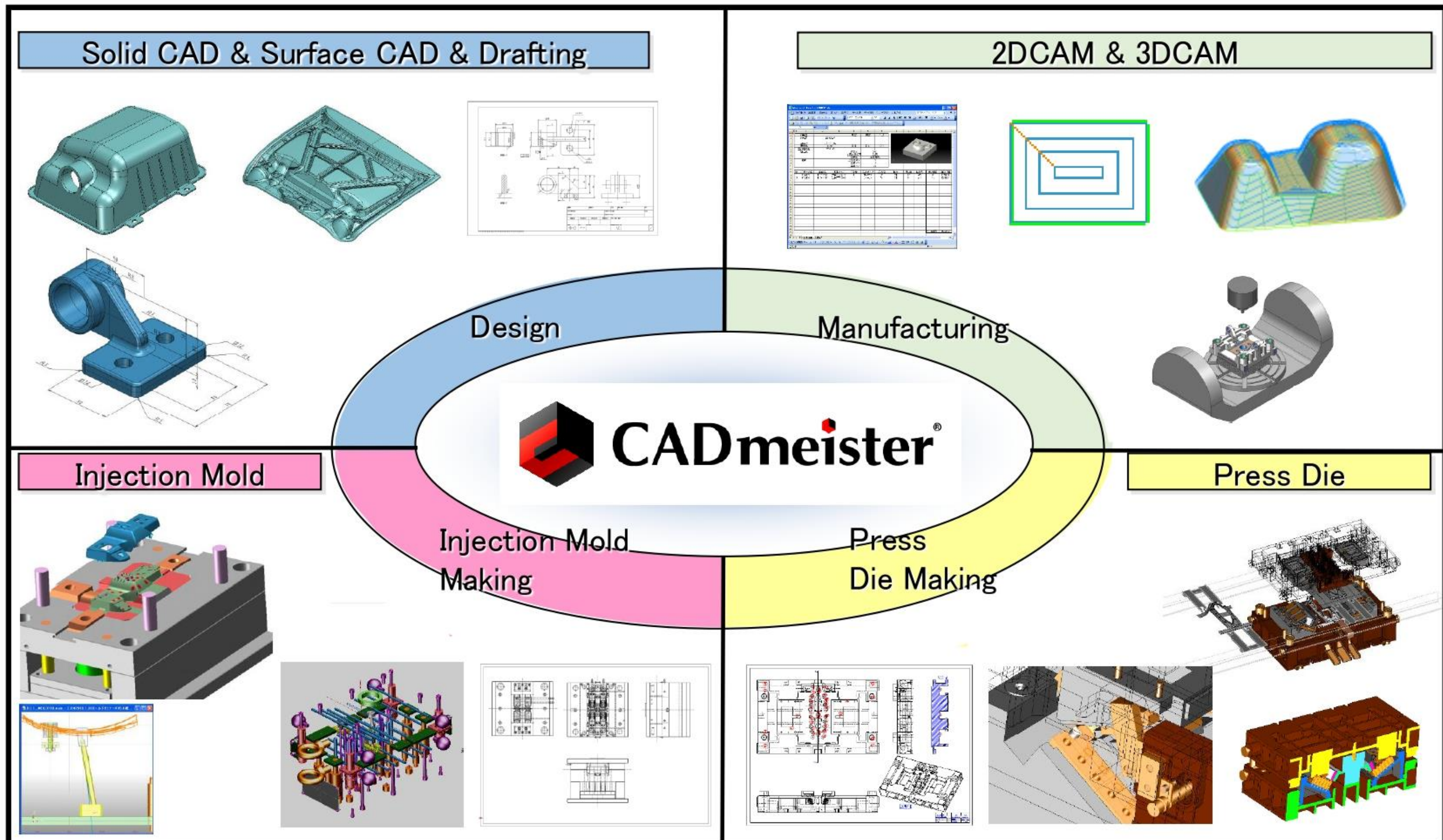
PRODUCTS TRADING

[Proposal] What's CADmeister

CADmeister is Specialized CAD/CAM-Software for Mold & Die Design.



[Proposal] What you can do with CADmeister





OUR CLIENTS



MITSU SINAR
TEKNIK

LET'S WORK TOGETHER

HEAD OFFICE & WORKSHOP 1:



Jl. Kampung Kandang No. 212
Lambang Sari, Tambun Selatan
Kab. Bekasi

WORKSHOP 2:



Jl. Raya Setu Serang Kp. Rawa Atug
RT/RW. 002 / 006
Cibening - Setu

WEBSITE



www.mitsusinar.co.id

CONTACT US



(021) 38716001

sintong@mitsusinar.co.id

rohendy@mitsusinar.co.id

didit@mitsusinar.co.id



PT. MITSU SINAR TEKNIK